



## PEARL

### ATSC PSIP Generator

**The Advanced Television Systems Committee (ATSC) has created the PSIP Standard (Program and System Information Protocol), to specify the transport of channel names, tuning information, and Electronic Program Guide.**

**Thales PEARL is the most efficient tool on the market to easily generate accurate and fully compliant PSIP information.**

#### Key Benefits

- Fully ATSC/PSIP compliant solution
- Fulfills FCC 2004 PSIP mandate for dynamic PSIP generation
- Enhanced operational editing and scheduling capabilities
- Tribune Media Services listing file automatic import
- Support of Programming Metadata Communication Protocol (PMCP)
- XML-enabled to facilitate connectivity
- Multi-source management with data prioritization
- Support of Directed Channel Change
- Broadcast Flag management
- Ethernet and/or ASI output capability
- User-friendly GUI for Control and Supervision

# ATSC PSIP GENERATOR

## Overview

The ATSC Program and System Information Protocol is critical to the broadcaster: accurate PSIP information enables channel branding, tuning/hopping in the receiver as well as compelling Electronic Program Guide (EPG) experience for the viewer.

Thales PEARL is an efficient tool to provide accurate PSIP information and generate enriched EPG. PEARL allows broadcasters to easily fulfill the 2004 FCC mandate for dynamic PSIP generation and broadcast flag management.

## Static & Dynamic PSIP

PEARL generates all the tables necessary to provide both static and dynamic PSIP through its built-in scheduler. This includes MPEG-2 PSI tables and ATSC PSIP tables, allowing PEARL to create consistent PSI and PSIP information and generate fully compliant MPEG-2/ATSC transport streams.

## Versatile Remote Editor

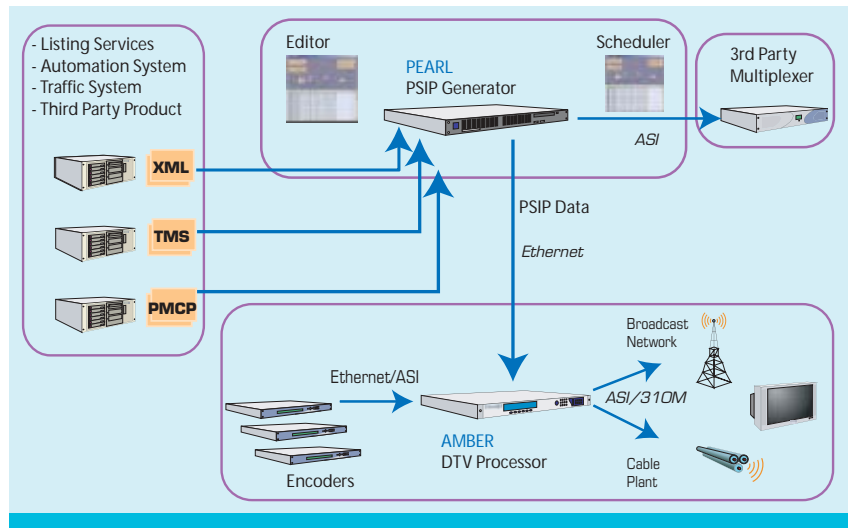
PEARL brings a powerful and versatile Editor which permits to build easily a complete broadcast network setup, with multiple transport streams and channels. PEARL Editor offers advanced features, like recurring event management or last minute change. The Event Overrun feature allows to rapidly modify the end time of an event, delete events, and much more.

## Multiple Sources Management

In addition to its powerful Editor, PEARL manages various other input types. PEARL can automatically prioritize and merge information with its built-in Multi-Source management system.

## XML Import format/ Decisionmark MediaStar

PEARL features a common XML File Interface that enables external sources of programming informa-



PEARL Environment

tion to feed the PSIP generation system.

Decisionmark MediaStar is fully integrated with PEARL via this automated XML interface.

## Tribune Media Services

PEARL is compliant with the popular Tribune listing service for automatic listing data import.

## Programming Metadata Communication Protocol

PMCP (ATSC A/76) is supported by PEARL to easily interconnect the PSIP Generator to 3rd party automation/traffic systems.

## Efficient and Scaleable System

PEARL is tailored to fulfill demanding operators' requirements.

## Linked Channels

The same EPG can be entered once, and broadcast in several transport streams.

## Broadcast Flag

PEARL manages the Broadcast Flag to signal copyrighted programs.

## Dynamic Channel Status Management

The "hidden flag" allows broadcaster to send EPG for a channel not currently available.



PEARL PSIP Editor

## Directed Channel Change

DCC allows directed receivers to automatically change channel upon specific conditions.

## Multiple Output Capability

PEARL can be equipped with an ASI output to feed any 3rd party multiplexer.

A single PEARL can generate PSIP information for multiple transport streams and follow the station evolution requirements, leveraging the broadcaster's investment.

## Smart Data Package

For utmost reliability and performance, PEARL is specially designed to cooperate with Thales AMBER DTV Processor using an Ethernet link. AMBER stores and carousel the current version of each table, thus guaranteeing that critical PSIP information is always carried in the signal. AMBER also dynamically reconciles PSI and PSIP information, preventing coherence errors in the transport stream.



## Ordering Information

Ordering number	Description
TNM-5711	Pearl Stand-alone/ASI output
TNM-5721	Pearl Stand-alone/Ethernet output
TNM-5731	Pearl Smart Data Package

Please contact us at the numbers below for further details on PEARL's available options.